

Evakuatsioonivalgusti EPE-EM2-3H Pindpaigaldusega

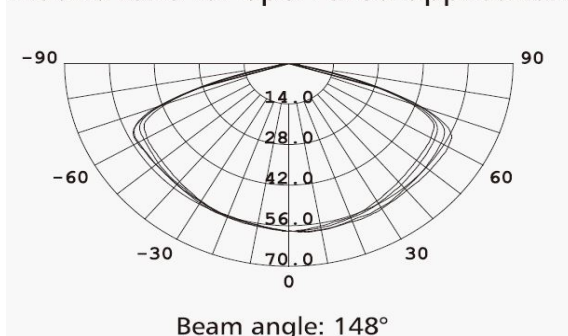


TEHNILISED PARAMEETRID

Model No	Optical Parameters						Structural Parameters			
	Specification of Battery	Light Source	Emergency Time	Test Mode	Power	Light Source Luminous Flux	Material	Product Size (mm)	IP Rating	Certification
EX-DP-EPE-EM2 (Open area)	LiFePO4 9.6V 1500mAh Lithium Battery	SMD LED	3 hour	Autotest	6W	460lm	Polycarbonate body and diffuser	Ø140x48	IP 20	CE
IP65 box for EPE-EM2							Polycarbonate body and diffuser	Ø175x78	IP 65	CE

Valgusvihu diameeter

Round lens for open area application



Lisainformatsiooni saamiseks palun pöörduda oma kliendihalduri poole.

